



Watson Suspension Systems

# 20K TRAILER TRU-TRACK SELF-STEERING AXLE & SUSPENSION SYSTEM



## STL-2095/2096

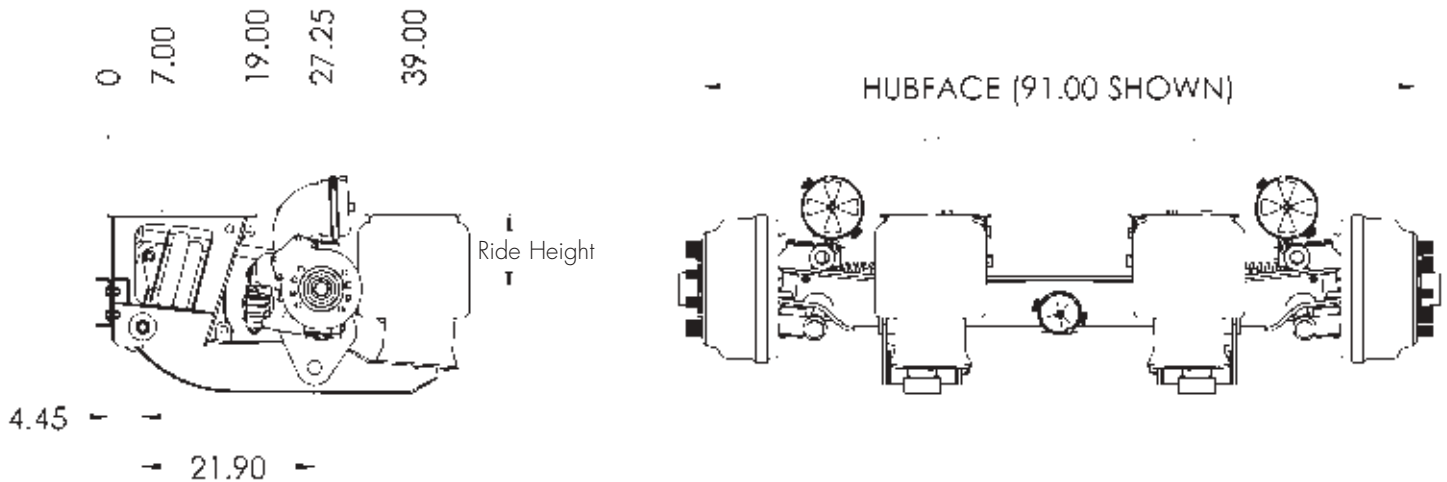
- 5 Year Warranty
- Parallelogram Design
- 20,000 lb. Capacity

**LEADERSHIP IN SUSPENSION TECHNOLOGY**

# STL-2095/2096 Series

## 20K TRAILER TRU-TRACK

### INTEGRATED SUSPENSION AND AXLE ASSEMBLY



- Parallelogram Design
- Capacity: 20,000 lbs.
- Axle Lift: 8 in.
- Lightweight: 1,475 lbs.
- STL-2095 91" HF/HF
- STL-2096 95" HF/HF
- 25° Wheel Cut
- 5 Year Warranty
- Ride Heights: 9.5 thru 20 in.
- Reverse Lock Optional
- Fabricated axle, Meritor Components



Watson Suspension Systems

972.547.6020 800.445.0736

FAX: 972.542.0097

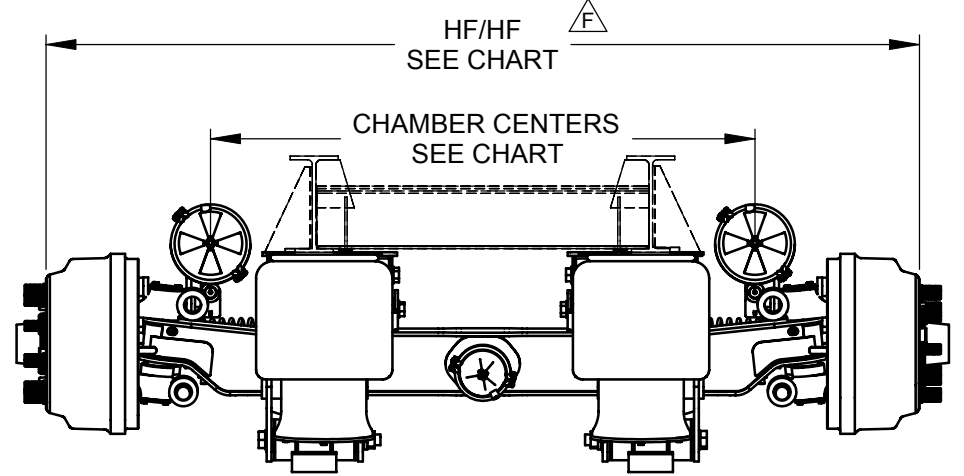
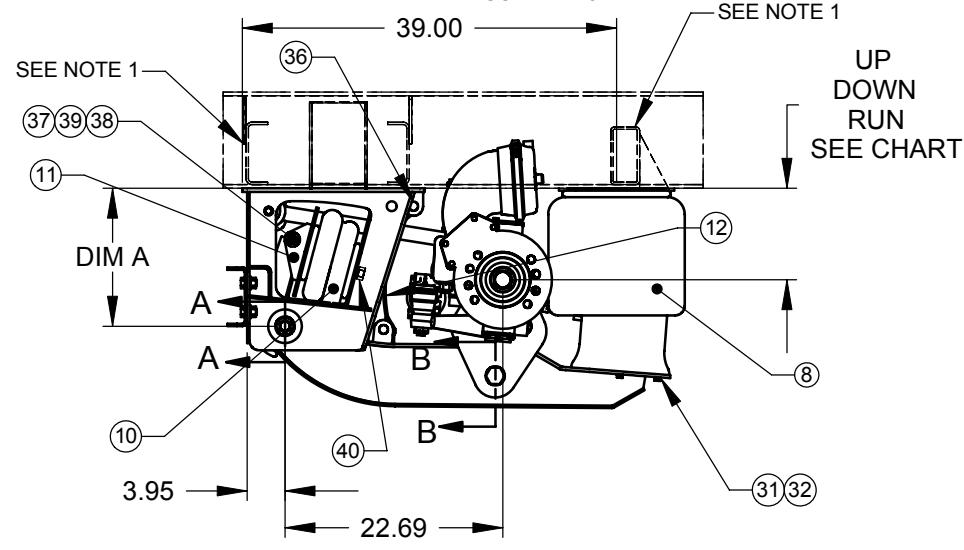
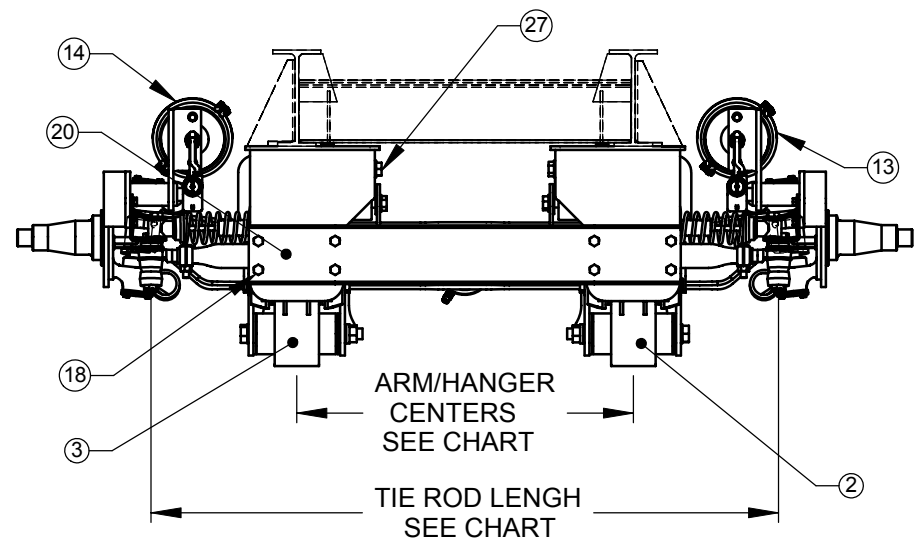
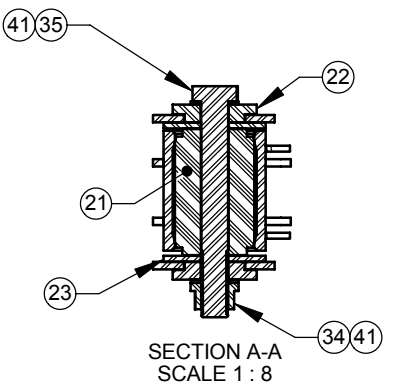
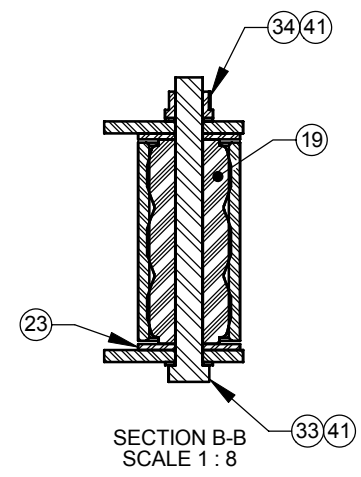
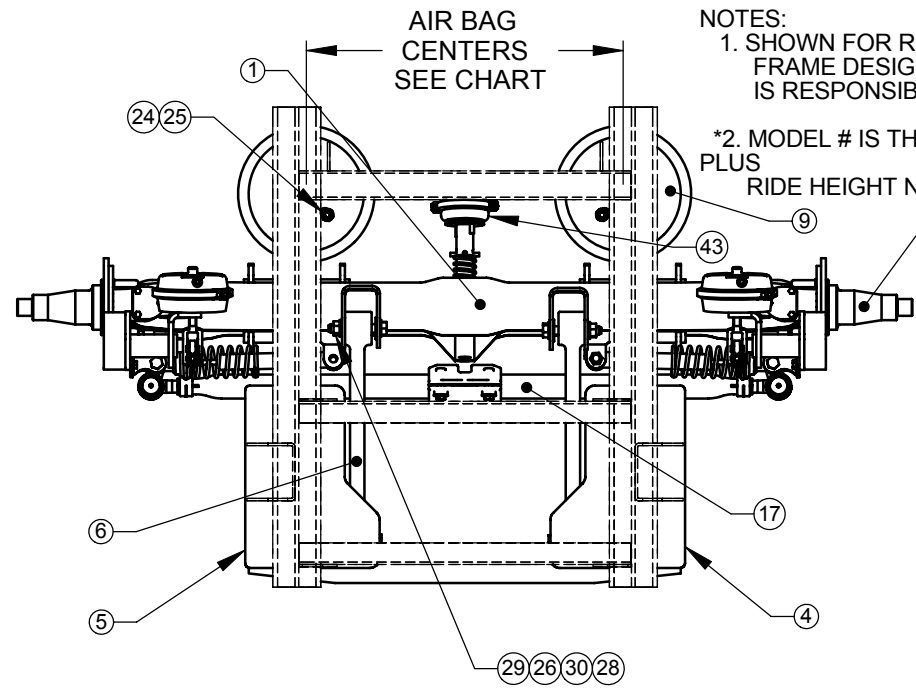
2060 COUCH DRIVE MCKINNEY, TEXAS 75069

[www.WatsonSuspensions.com](http://www.WatsonSuspensions.com)

REV.	DESCRIPTION	ECN	DATE	BY
A	NEW DRAWING	2432	9/8/2001	GWE
B	UPDATE BOM	2600	7/19/2002	GWE
C	CHANGED BRAKES TO -10 & -20 CONFIG. ADDED TIRE RESTRICTION NOTE ON SHT. 2	2598	9/23/002	GWE
D	UPDATE DOWN DIM & BAG SPACER-14 CONFIG	2754	8/18/2003	GWE
E	REVISED UP, DOWN DIMS IN CHART CHECK STRAP	2780	3/24/2003	GWE
F	ITEM 1 WAS 160037 FOR STL2095 & 160038 FOR STL2096, ITEMS 16 & 17 WERE 980160-13 & -23, ITEM 43 WAS 990217-03	2545	4/17/2003	GWE
G	ADDED ITEM 41	C3826	2/8/2006	GWE
H	ITEM 17 WAS 990188 FOR STL2095 & 990188-01 FOR STL 2096; ITEM 26 QTY WAS 8; ITEM 27 WAS 17800-01; ITEM 28 QTY WAS 4; ITEM 29 WAS 17922; ITEM 35 WAS 11225; MOVED FORMER ITEM 42 TO 43 (WAS 990217-01); ADDED NEW ITEM 42	4113	7/26/2006	HDH

ITEM NO.	QTY	PART NO	DESCRIPTION	ITEM NO.	QTY	PART NO	DESCRIPTION
1	1	CHART	AXLE ASSEMBLY	22	4	10764	WELD COLLAR
2	1	CHART	ARM ASSEMBLY L.H.	23	8	11222	FLAT WASHER 4.25ID X 1.15OD
3	1	CHART	ARM ASSEMBLY R.H.	24	2	10026	.75 LOCKWASHER
4	1	CHART	HANGER ASSEMBLY L.H.	25	2	10025	.75 HEX HEAD NUT
5	1	CHART	HANGER ASSEMBLY R.H.	26	6	17408	WASHER 2.25OD X .94ID TORQUE ROD
6	2	17975	TORQUE ARM	27	2	17800-03	CAPSCREW .87-14X6.50
7	2	18076	MERITOR 20K KIT MPS4589	28	8	17010	WASHER FLAT .875
8	2	AS0023-1G	AIR SPRING (9122) LOAD	29	4	19040F-088	NUT SPIRALOCK .88 UNF GR 8
9	2	CHART	UPPER BAG PLATE	30	2	17800-02	CAPSCREW .87-14 X 5.50
10	2	AS0058-1F	AIRSPRING (6886) LIFT	31	6	10041	.38 LOCK WASHER
11	2	13220	LIFT BAG PLATE ASSEMBLY	32	6	10038	CAPSCREW .38 X 1.00 LG
12	2	CHART	STRAP	33	2	11602	CAPSCREW 1.12X12.0UNF GR8
13	1	17400-10	16 1/2" X 6" BRAKE ASSY LH	34	4	19040F-113	NUT SPIRALOCK 1.13 UNF GR8
14	1	17400-20	16 1/2" X 6" BRAKE ASSY RH	35	2	19365	CAPSCREW 1.12X9.00 UNF GR8
15	1	980118-10	OUTER STABILIZER BRACKET L.H.	36	1	16003	STRAP HARDWARE PACK
16	1	980118-20	OUTER STABILIZER BRACKET R.H.	37	4	10043	FLAT WASHER .75 HARDENED
17	1	CHART	TIE ROD ASSEMBLY	38	2	11940	PIN .75 X 4.75
18	1	16000	BOLT-ON CROSSMEMBER PACK	39	2	11941	COTTER PIN
19	2	12789	BUSHING, AX SEAT SL1800	40	1	16060	LIFT BAG HARDWARE PACK
20	1	CHART	CROSSMEMBER	41	8	10045	WASHER FLAT 1.12 HARDENED
21	2	10050	PIVOT BUSHING (REF. ONLY)	42	2	11418	SHOCK STEERING STABILIZER

NOTES:  
 1. SHOWN FOR REFERENCE PURPOSES ONLY. PROPER FRAME DESIGN AT SUSPENSION ATTACHMENT AREA IS RESPONSIBILITY OF INSTALLER.  
 \*2. MODEL # IS THE PART NUMBER FROM AXLE CHART PLUS RIDE HEIGHT NUMBER FROM RIDE HEIGHT CHART.



\*\*OPTIONAL ORDER SEPARATELY

ITEM NO.	QTY	PART NO	DESCRIPTION
43	1	990217-03	LOCKOUT ASSEMBLY

AXLE CHART									
PART NO.	ARM/HGR CENTERS	AIR BAG CENTERS	KINGPIN CENTERS	HUB FACE TO HUB FACE	BRAKE CHAMBERS	TIE ROD	ITEM #1	ITEM #17	ITEM #20
STL2095-XX*	35.00	33.00	67.25	91.00	56.83	65.37	160043	990188-04	90005
STL2096-XX*	39.00	37.00	71.25	95.00	69.33	69.37	160055	990188-05	90707

PART NO.	RUN RANGE	UP (BC)	DOWN	DIM A	ITEM #2	ITEM #3	ITEM #4	ITEM #5	ITEM #9	ITEM #12	BAG PLATE SPACE
STL-20XX-10	9.50 - 11.00	3.75	14.00	14.00	930130-12	930130-22	920330-10	920330-20	13179	17550-04	0.00
STL-20XX-12	11.50 - 12.00	5.75	16.00	16.00	930130-12	930130-22	920345-10	920345-20	950022-32	17021	2.00
STL-20XX-14	12.50 - 14.00	7.50	17.50	17.00	930130-13	930130-23	920344-10	920344-20	950022-34	17021	4.00
STL-20XX-16	14.50 - 16.00	10.00	20.00	19.00	930130-11	930130-21	920329-10	920329-20	950022-39	11757	7.00

DEPTS AFFECTED	TOLERANCES (EXCEPT AS NOTED)	DESCRIPTION: ASSY. STANDARD 5" DROP ARM		
-	DECIMAL ± .06	PREVIOUS ASSY:	SHEET:	 Watson Suspension Systems
-	FRACTIONAL ± 1/16	-	1 OF 2	
WEIGHT:	ANGULAR ± 1°	SUSPENSION MODEL:	SCALE:	
		STL2095 & 96	1:20	
		DATE:	DRAWN BY:	SIZE:
		9/08/01	GWE	B
				DRAWING NO:
				130153

LEVEL	REVISION DESCRIPTION	ECN	DATE	BY
A	-	-	-	-
B	-	-	-	-
C	-	-	-	-

## TIRE OUTSIDE DIMENSIONS AND CHAMBER INSIDE DIMENSIONS FOR STL-2095 AND STL-2096 (INCHES).

STL-2095 (91.00" HUB FACE TO HUB FACE)*2					
	WHEEL INSET (INCHES)				
		4.68	5.12	5.30 *1	5.75
TIRE SIZE	385	96.54	95.65		94.40
	425	97.74	96.85		95.60
	445			97.70	
*3 INSIDE OF CHAMBERS (TYPE 30) = 45.25"					

STL-2096 (95.00" HUB FACE TO HUB FACE)*2					
	WHEEL INSET (INCHES)				
		4.68	5.12	5.30 *1	5.75
TIRE SIZE	385	100.54	99.65		98.40
	425	101.74	100.85		99.60
	445			101.70	
*3 INSIDE OF CHAMBERS (TYPE 30) = 49.25"					

**BOTH CHARTS BASED ON:**

22.5 X 11.75 WHEEL FOR 385 TIRE SIZE

22.5 X 12.25 WHEEL FOR 425 TIRE SIZE

\*\*22.5 X 13.00 WHEEL FOR 445 TIRE SIZE

14.90" TIRE WIDTH FOR 385/65R 22.5 TIRE

16.10" TIRE WIDTH FOR 425/65R 22.5 TIRE

\*\*17.30" TIRE WIDTH FOR 445/65R 22.5 TIRE

\*\*USE ONLY WITH LONG CAM BRAKES PN's: 17400-11 & -21  
CHAMBER CENTERS WILL DECREASE BY 5.5.

\*1 5.30 INSET FOR 22.5 X 13.00 RIM SIZE

\*2 DIMENSION WITH STANDARD 10 STUD  
HUB PILOT, HUB AND 16½ X 6 CAST DRUM.

\*3 TRAILER FRAME OUTSIDE TO CHAMBER CLEARANCE  
NEEDS TO BE A MINIMUM OF 1.0".

DEPARTMENTS AFFECTED	TOLERANCES (EXCEPT AS NOTED)	<b>WATSON &amp; CHALIN MFG. INC.</b>		
-	DECIMAL ± .06	DESCRIPTION: <b>DIMENSION CHART FOR STL-2095 AND STL-2096</b>		SHEET: <b>2 OF 2</b>
-	FRACTIONAL ± 1/16	SUSPENSION MODEL: STL-2095 & 2096	SCALE: NONE	PREVIOUS ASSEMBLY: -
-	ANGULAR ± 1°	DATE: 10/26/2001	CHKD BY: -	DRAWN BY: GWE SIZE: B DRAWING NO.: <b>130153</b>