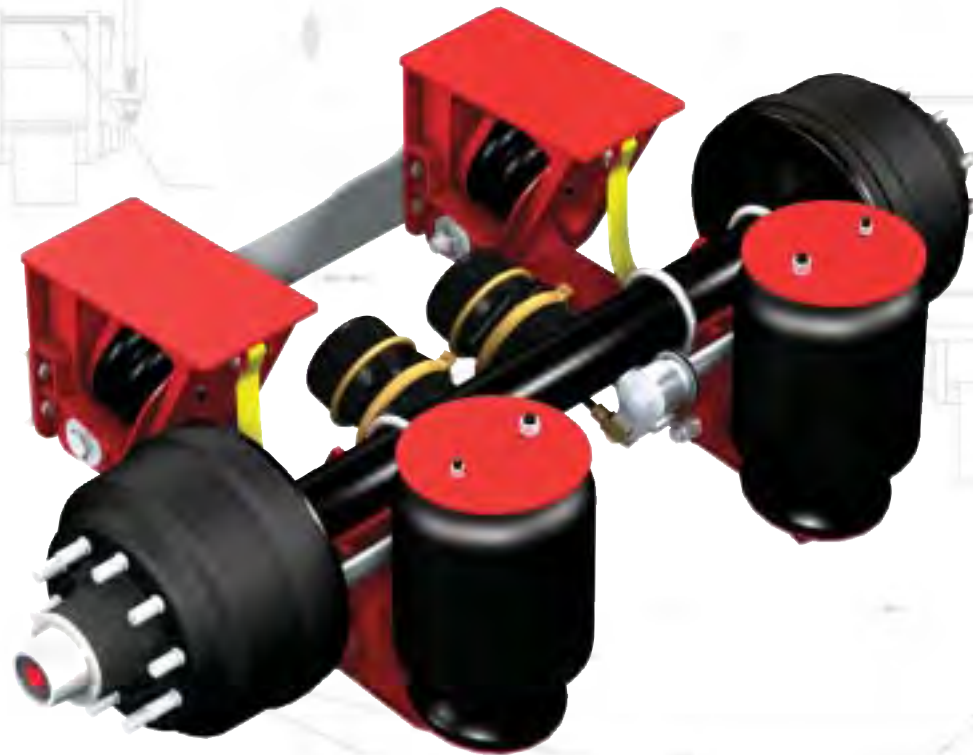




Watson Suspension Systems

## TL-2200

### NON-STEERABLE LIFT AXLE SUSPENSION

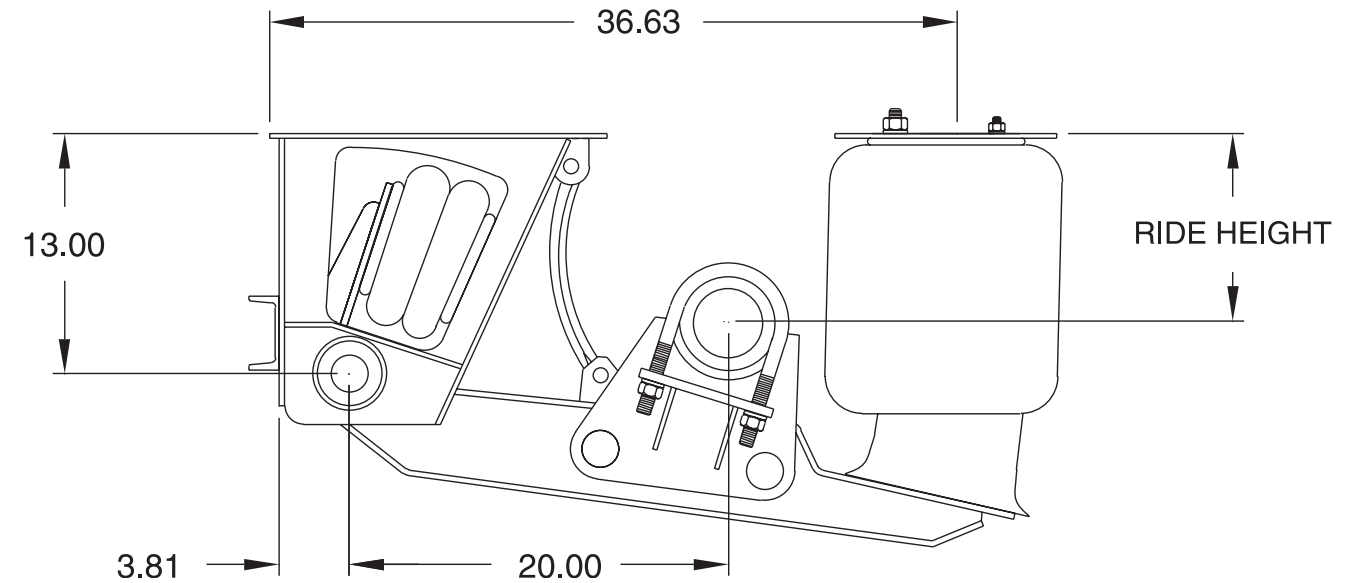


## TL-2200 Series

- 5 Year Warranty
- Maintenance Free with Huck Fasteners
- 25,000 lb. Capacity

LEADERSHIP IN SUSPENSION TECHNOLOGY

## TL-2200 SERIES NON-STEERABLE LIFT AXLE



- Axle Travel: 10 in.
- Capacity: 25,000 lbs.
- Positive Axle Stop
- Ride Heights: 8 thru 19 in.
- Maintenance Free HUCK Fasteners
- Available as Kit or Complete with Axle
- Compact Design
- Air Ride-Air Lift
- Two Pin Axle Connection-Rubber Bushed

Optional: *Eccentric Alignment* (Requires Maintenance)



Watson Suspension Systems

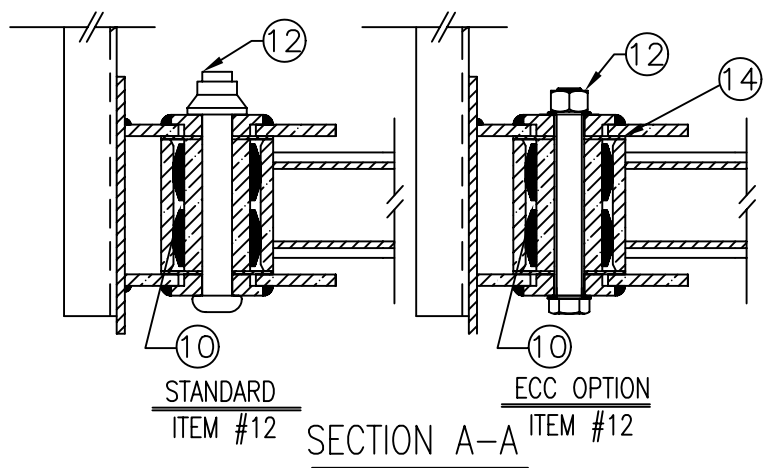
972.547.6020 800.445.0736

FAX: 972.542.0097

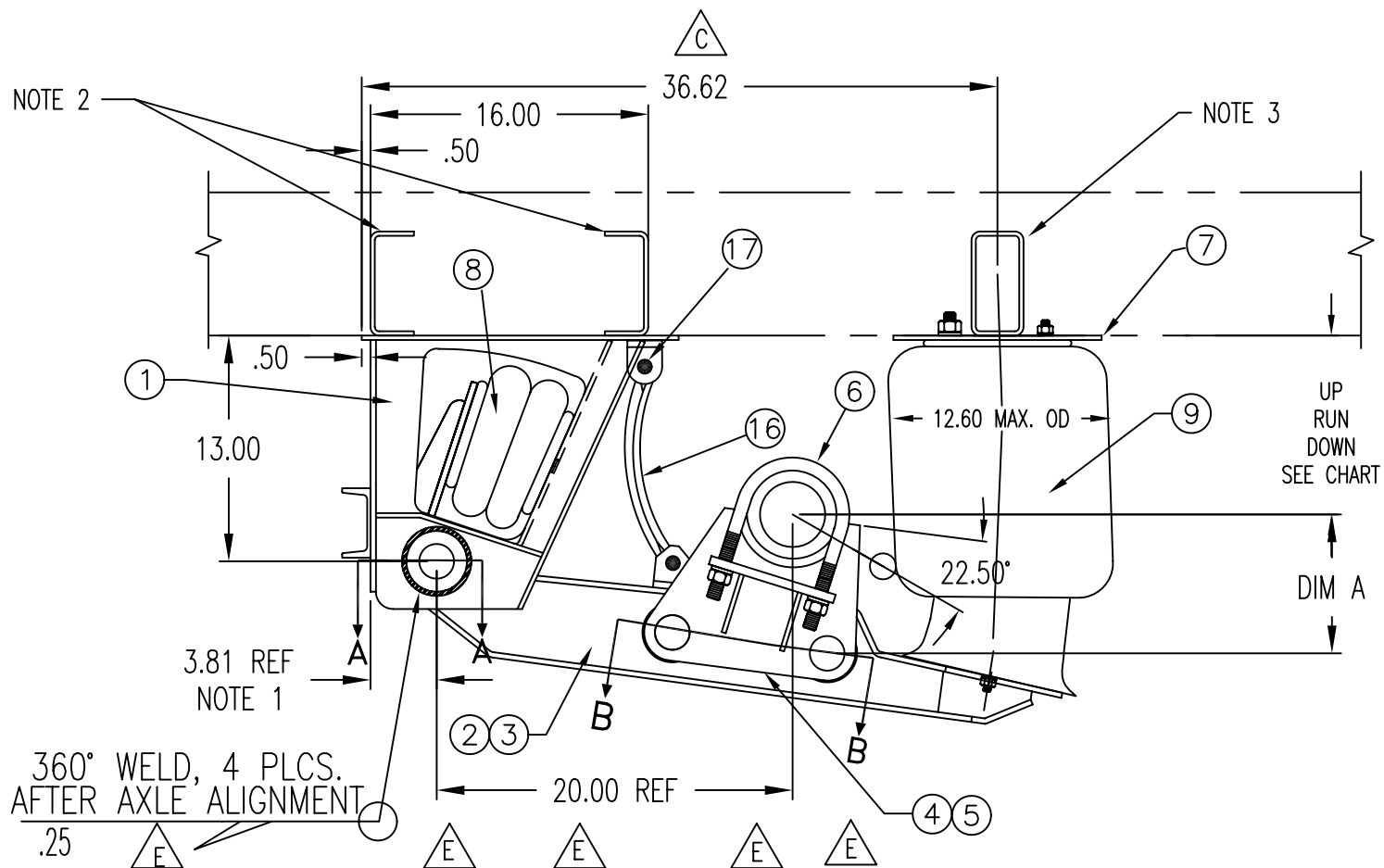
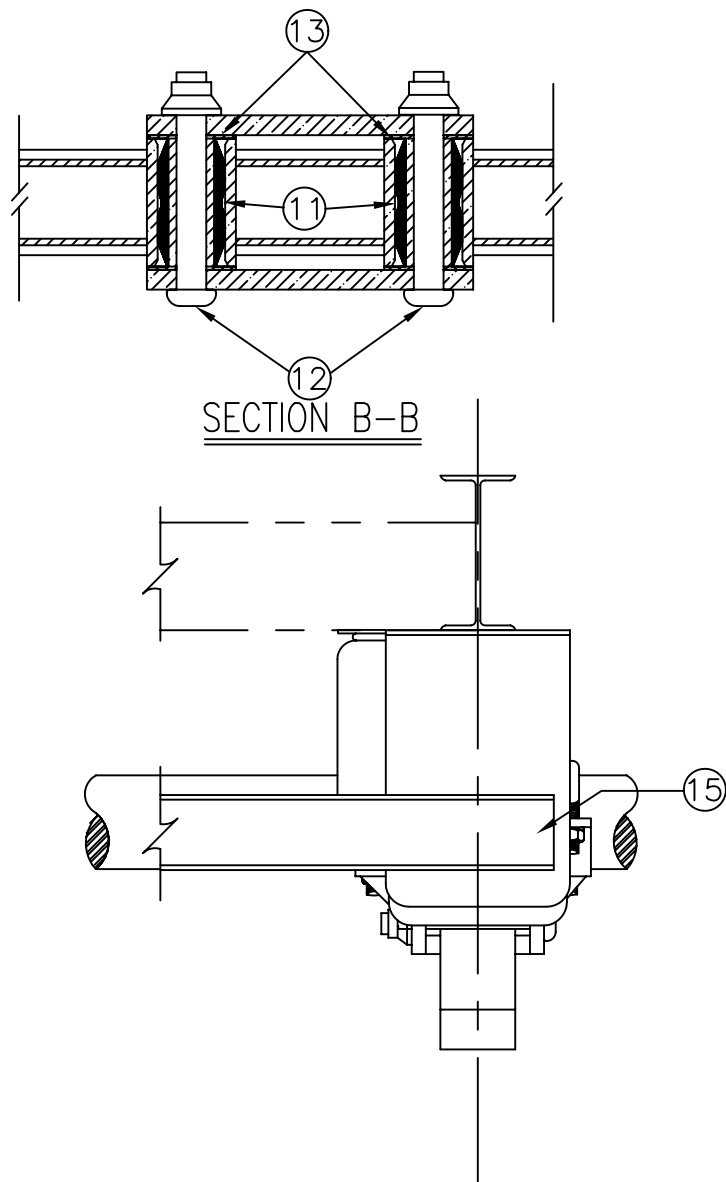
2060 COUCH DRIVE MCKINNEY, TEXAS 75069

www.WatsonSuspensions.com

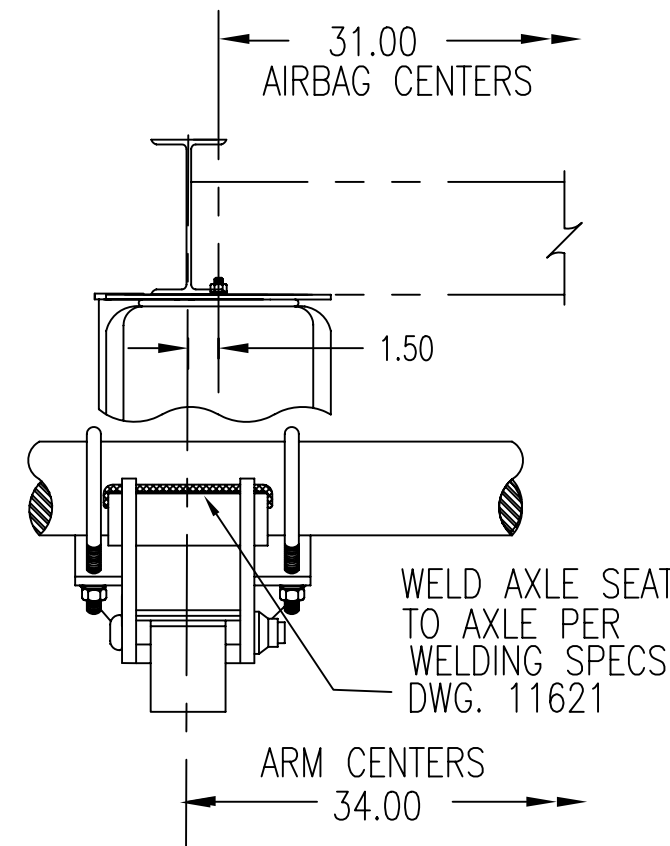
LEVEL	REVISION DESCRIPTION	ECN	DATE	BY
A	NEW DRAWING	1914	5/4/98	AFF
B	CORRECTED U-BOLT PACK	2088	3/22/99	JFF
C	DIM WAS 36.12	2419	10/01/01	JFF
D	ADDED ITEM#12 CHART,NOTE5	3416	11/13/04	JFF
E	ADD ECC OPT TO MAIN CHART ITM 12 ECC WAS 16005E ADD ITM 1,13,14,18 TO CHRT FOR ECC	C-5452	05/19/08	KDR
F	NEW BAG CALLOUT/REORDER NO. SEQ	C-6258	03/27/09	TEG



ITEM	PART NO.	QTY.	DESCRIPTION	ITEM	PART NO.	QTY.	DESCRIPTION
1	CHART $\triangle E$	2	HANGER ASSEMBLY	10	10050 $\triangle E$	2	PIVOT BUSHING (REF ONLY)
2	13107	1	ARM ASSEMBLY LH	11	11223 $\triangle E$	4	AXLE SEAT BUSHING (REF ONLY)
3	13108	1	ARM ASSEMBLY RH	12	CHART $\triangle E$	1	HUCK PACK
4	CHART	1	AXLE SEAT ASSEMBLY LH	13	CHART $\triangle E$	8	WASHER 3.380Dx.25
5	CHART	1	AXLE SEAT ASSEMBLY RH	14	CHART $\triangle E$	4	ALIGNMENT COLLAR
6	CHART $\triangle E$	1	U-BOLT PACK 3/4"	15	12524-01	1	CROSSBRACE 42" LENGTH
7	13179	2	UPPER BAG PLATE ASSEMBLY	16	11342	2	DOWN STRAP 13.75" LENGTH
8	AS0058K	2	AIRSPRING (LIFT) 6897	17	16003	1	STRAP HDWE PACK
9	AS0057K	2	AIRSPRING (LOAD) 9370				



- $\triangle D$   $\triangle E$  NOTES:
- ±.19 DEPENDING ON AXLE ALIGNMENT.
  - MIN. 6.00 X 2.00 X .25 CROSSMEMBER IS THE RESPONSIBILITY OF INSTALLER.
  - MIN. 6.00 X 3.00 X .25 CROSSMEMBER IS THE RESPONSIBILITY OF INSTALLER.
  - CAPACITY 25,000#



	PART NO.	UP	RUN	DOWN	DIM A	ITEM #1	ITEM #4	ITEM #5	ITEM #6	ITEM #12	ITEM #13	ITEM #14
$\triangle E$	TL2200-9	3.50	9.00	13.00	8.50	920000-03	13246	13247	16001-03	16005S	N/A	N/A
$\triangle E$	TL2200-9WE	3.50	9.00	13.00	8.50	920000-03WE				16070	17140	17234
$\triangle E$	TL2200-10	3.63	10.00	14.00	8.50	920000-03	12490-10	12490-20		16005S	N/A	N/A
$\triangle E$	TL2200-10WE	3.63	10.00	14.00	8.50	920000-03WE				16070	17140	17234
$\triangle E$	TL2200-11	4.63	11.00	15.00	7.50	920000-03	11660-10	11660-20	16001	16005S	N/A	N/A
$\triangle E$	TL2200-11WE	4.63	11.00	15.00	7.50	920000-03WE				16070	17140	17234
$\triangle E$	TL2200-12	5.63	12.00	16.00	6.50	920000-03	11660-10	11660-20	16001	16005S	N/A	N/A
$\triangle E$	TL2200-12WE	5.63	12.00	16.00	6.50	920000-03WE				16070	17140	17234

DEPARTMENTS AFFECTED	TOLERANCES (EXCEPT AS NOTED)	DESCRIPTION	MATERIAL
10	DECIMAL ± .06	ASSEMBLY 9.00-12.00 RUN	-
-	FRACTIONAL ± 1/16	SUSPENSION MODEL TL2200-9thru12	PREVIOUS ASSEMBLY -
-	ANGULAR ± 1°	DATE 4/28/98	CHKD BY - DRAWN BY AFF SIZE B DRAWING NO. 130087

**CONFIGURED**

**WATSON & CHALIN MFG., INC.**