

PARTS LIST

HT250U UNDERSLUNG

LIT NO: L938

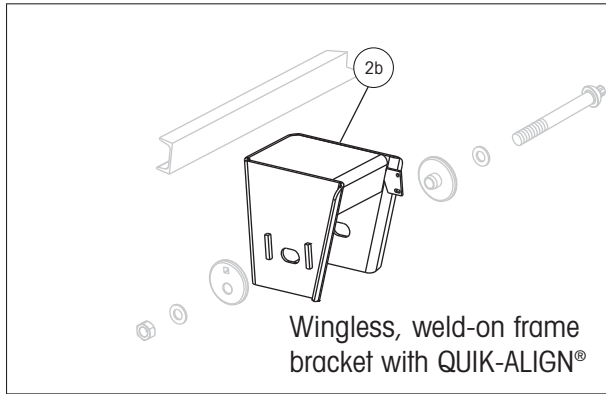
DATE: February 2010

REVISION: B

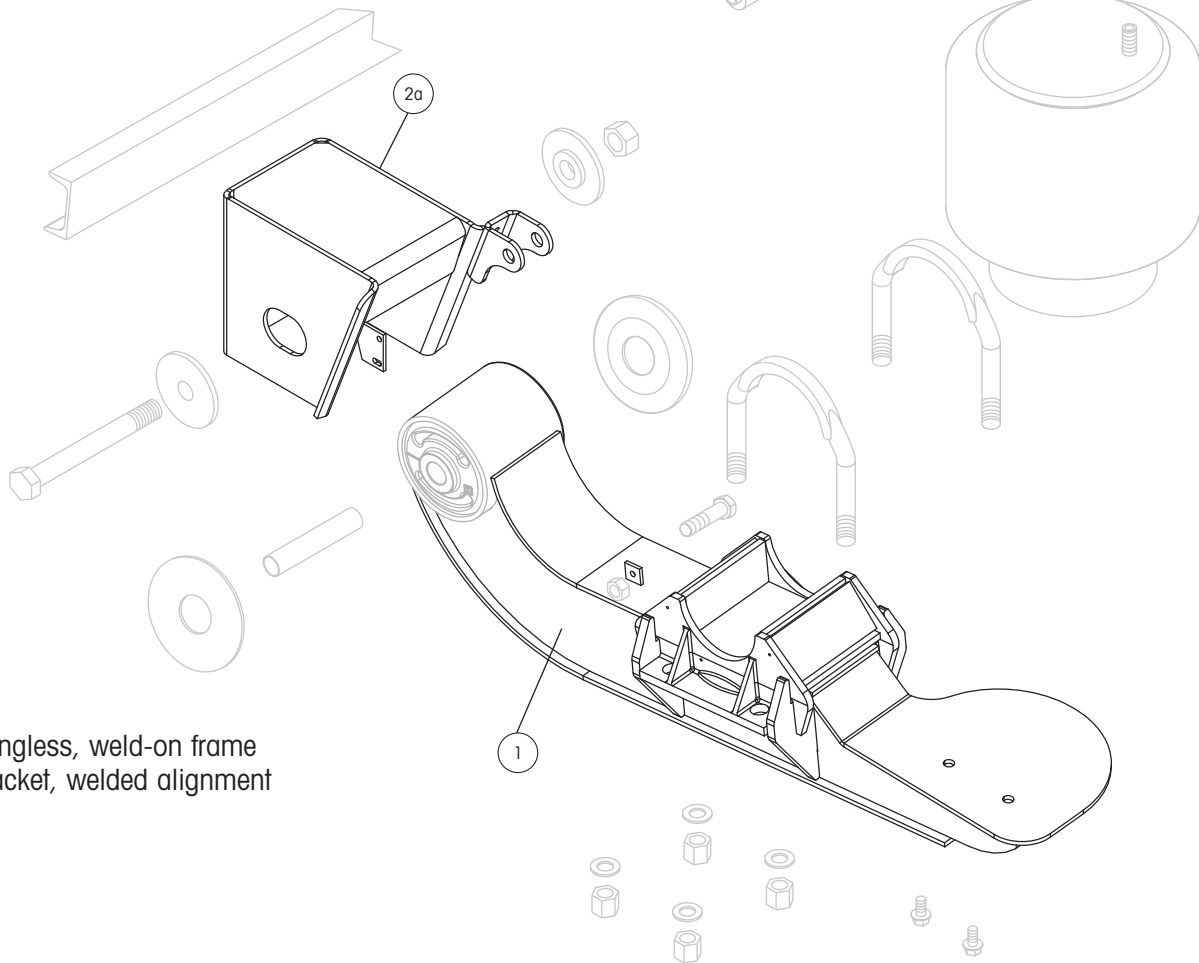




Picture shown may not resemble all models.



Wingless, weld-on frame bracket with QUIK-ALIGN®



Wingless, weld-on frame bracket, welded alignment



HT250U UNDERSLUNG PARTS LIST

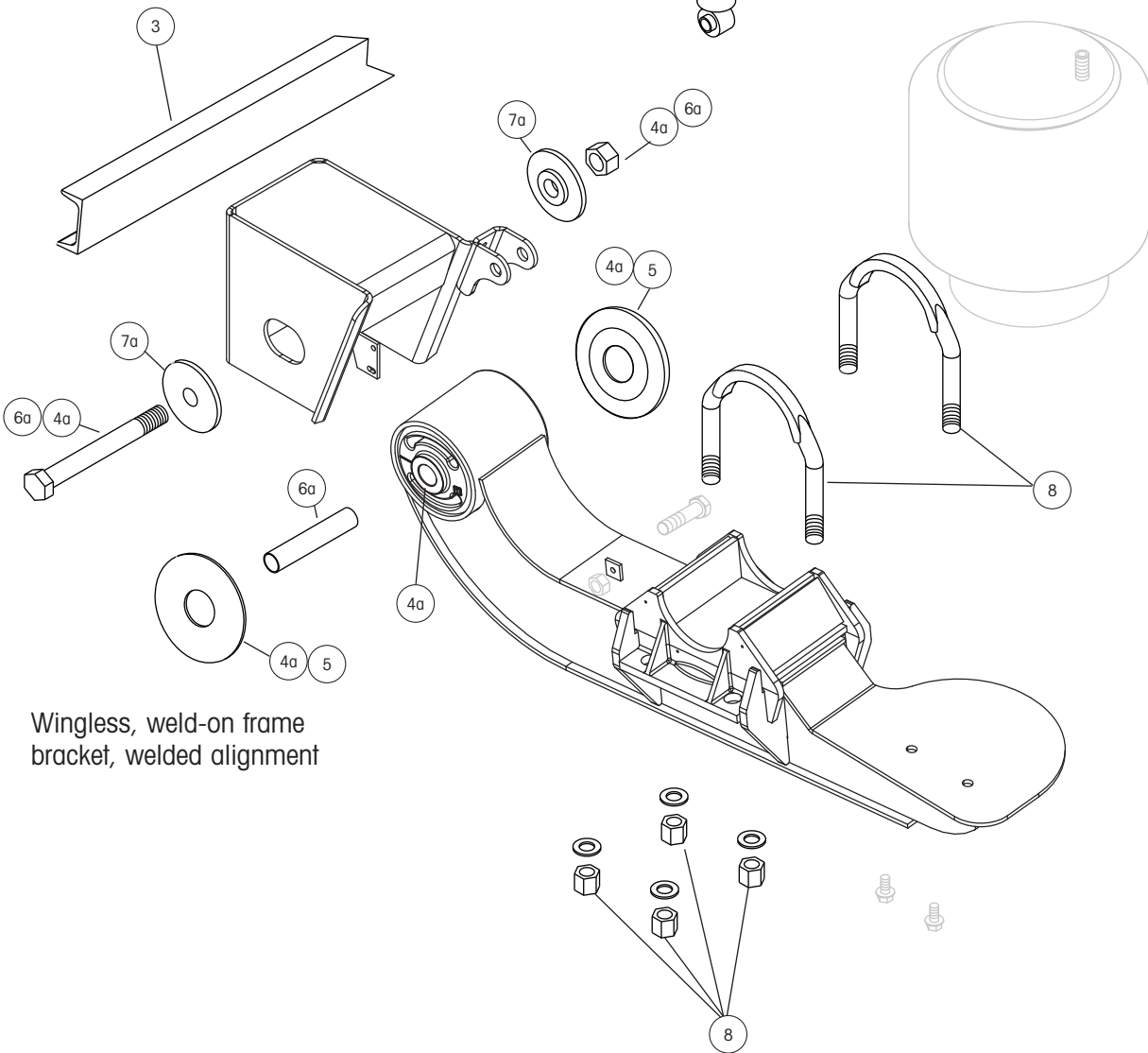
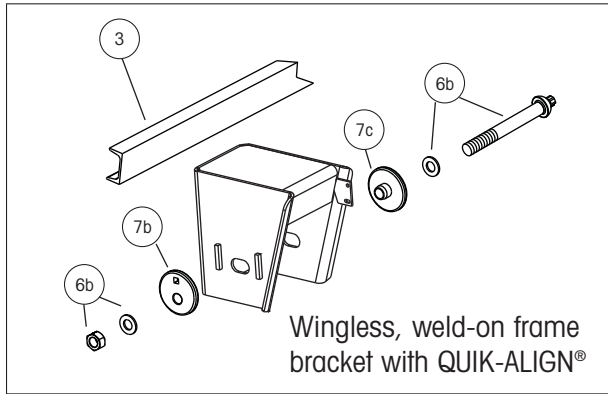
ITEM	DESCRIPTION	PART NO.	QTY. PER SUSP.	FITS MODELS HT250 ? or N-HT250 ?		
1	BEAM ASSEMBLY					
	Roadside	C-20335-1	1	All models except below		
	Curbside	C-20335-2	1			
	Roadside	C-20338-3	1	U-9-020	U-9-021	U-9-023
	Curbside	C-20338-4	1	U-15-022	UB9-022	UB15-022
	Roadside	C-20338-1	1	U-7.5-021		
	Curbside	C-20338-2	1			
2	FRAME BRACKET					
	2a Wingless, Weld-on, Welded Alignment					
	Roadside	S-20321-1	1	U-6.5-001	U-6.5-008	U-6.5-011
	Curbside	S-20321-2	1	U-6.5-020	U-6.5-021	U-6.5-027
					U-6.5-517	U-7.5-005
	Roadside	S-20322-1	1	U-7.5-001	U-7.5-002	U-7.5-003
	Curbside	S-20322-2	1	U-7.5-008	U-7.5-017	U-7.5-027
				U-7.5-517	U-9-001	U-9-002
				U-9-003	U-9-004	U-9-006
				U-9-008	U-9-010	U-9-022
				U-9-024	U-9-025	U-9-027
				U-9-028	U-9-029	U-9-517
	Roadside	S-20324-1	1	U-12-002	U-14-001	U-14-006
	Curbside	S-20324-2	1	U-14-008	U-14-024	U-14-026
				U-14-028	U-14-517	
	Roadside	S-20323-1	1	U-12-001	U-12-006	U-12-008
	Curbside	S-20323-2	1	U-12-026	U-12-517	
	Roadside	S-20717-1	1	U-6.5-002	U-6.5-003	U-6.5-022
	Curbside	S-20717-2	1			
	Roadside	S-23860-3	1	U-9-020	U-9-021	U-9-023
	Curbside	S-23860-4	1	U-15-022		
	Roadside	S-22663-1	1	U-6.5-024		
	Curbside	S-22663-2	1			
	Roadside	S-20357-1	1	U-7.5-021		
	Curbside	S-20357-2	1			
	Roadside	S-15019-1	1	U-6.5-030	U-6.5-031	
	Curbside	S-15019-2	1			
	2b Wingless, Weld-on, QUIK-ALIGN®					
	Roadside	S-22634-1	1	UB14-001	UB14-006	UB14-023
	Curbside	S-22634-2	1	UB14-027	UB14-028	
	Roadside	S-21688-1	1	UB12-001	UB12-006	UB12-027
	Curbside	S-21688-2	1	UB12-028		
	Roadside	S-23859-1	1	UB9-022	UB15-022	
	Curbside	S-23859-2	1			
	Roadside	S-21926-1	1	UB7.5-001	UB7.5-517	UB7.5-522
	Curbside	S-21926-2	1	UB9-001	UB9-002	UB9-003
				UB9-004	UB9-010	UB9-013
				UB9-522		
	Roadside	S-21927-1	1	UB6.5-001	UB6.5-022	UB6.5-517
	Curbside	S-21927-2	1	UB7.5-005		
	Roadside	S-22581-1	1	UB6.5-002		
	Curbside	S-22581-2	1			
	Roadside	S-23859-1	1	UB15-022		
	Curbside	S-23859-2	1			

NOTE: Identification tag can be found on the front of the roadside frame bracket or the inside of the curbside beam.

HT250U UNDERSLUNG PARTS LIST



Picture shown may not resemble all models.





HT250U UNDERSLUNG PARTS LIST

ITEM	DESCRIPTION	PART NO.	QTY. PER SUSP.	FITS MODELS HT250 ? or N-HT250 ?		
2c	Winged, Bolt-on, Welded Alignment (Not Shown)					
	Roadside	S-20337-1	1	U-12-007		
	Curbside	S-20337-2	1			
	Roadside	S-21230-1	1	U-14-007		
	Curbside	S-21230-2	1			
	Roadside	S-20326-1	1	U-6.5-007		
	Curbside	S-20326-2	1			
	Roadside	S-20327-1	1	U-7.5-007	U-9-007	
	Curbside	S-20327-2	1			
2d	Wingless, Bolt-on QUIK-ALIGN (Not Shown)					
	Roadside	S-22752-1	1	UB9-012		
	Curbside	S-22752-2	1			
3	FRAME BRACKET C-CHANNEL	A-1631-19	1	All models		
4	TRI-FUNCTIONAL® II BUSHING KIT¹					
4a	Welded Alignment	S-6914	2	Includes bushing, bushing tube spacers, cap screw, prevailing torque hex nut, liner and lube		
4b	QUIK-ALIGN	S-24691	2	Includes bushing, bushing tube spacers, round head bolt, prevailing torque hex nut, hardened washers and lube		
5	BUSHING TUBE SPACER	S-21099	4	All models		
6	PIVOT BOLT KIT					
6a	Welded Alignment	S-3646	2	Includes cap screw, prevailing torque hex nut and liner		
6b	QUIK-ALIGN	S-24679	2	Includes round head bolt, hardened washers and prevailing torque hex nut		
7	ALIGNMENT COLLARS					
7a	Welded Alignment	S-2770	4	Collars are welded to frame bracket		
7b	Eccentric QUIK-ALIGN (outer)	S-20925	2	Alignment hole is off center		
7c	Concentric QUIK-ALIGN (inner)	S-20924	2	Alignment hole is centered		
8	U-BOLT KIT	S-3650/4	4	All models		
9	SHOCK ABSORBER					
		S-20002	2	Fits all models unless shown below		
		S-21553	2	U-6.5-027	U-9-027	U-9-028
				U-14-028	UB6.5-522	UB7.5-027
				UB7.5-522	UB9-522	UB12-027
				UB12-028	UB14-027	UB14-028
		S-1667	2	U-7.5-021	U-7.5-022	
		S-2212	2	U-9-020	U-9-021	U-9-023
				U-9.5-026	U-15-022	UB9-022
				UB15-022		
		S-20126	2	U-6.5-517	U-7.5-017	U-7.5-517
				U-9-517	U-12-517	U-14-517
				UB6.5-517	UB7.5-517	
		S-2160	2	U-6.5-030	U-6.5-031	
10	SHOCK BOLT KIT	S-2157/2	2	All models		

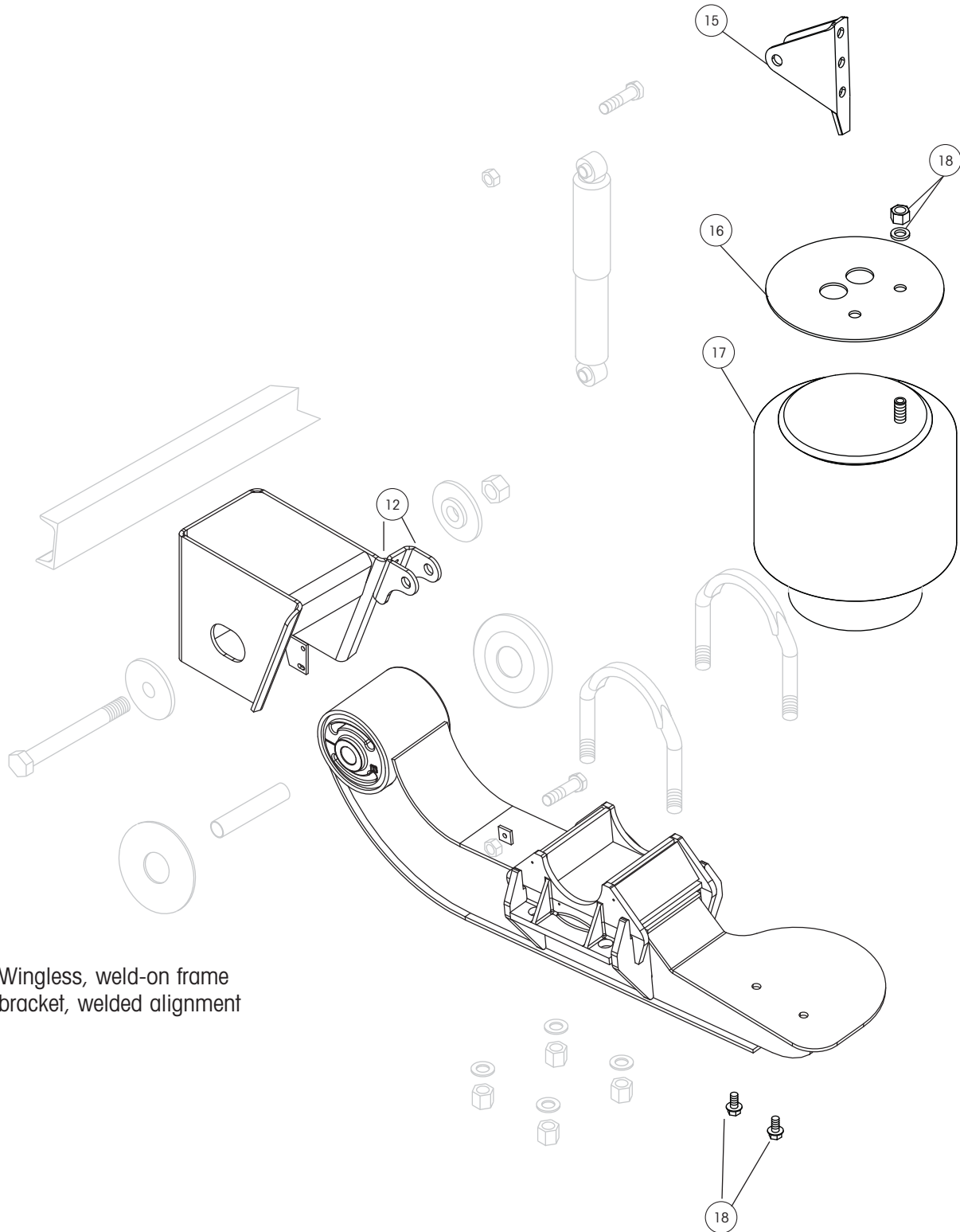
¹ Bushing tool S-21307 is required to correctly re-bush the suspension

NOTE: Identification tag can be found on the front of the roadside frame bracket or the inside of the curbside beam.

HT250U UNDERSLUNG PARTS LIST



Picture shown may not resemble all models.



Wingless, weld-on frame
bracket, welded alignment



HT250U UNDERSLUNG PARTS LIST

ITEM	DESCRIPTION	PART NO.	QTY. PER SUSP.	FITS MODELS HT250 ? or N-HT250 ?				
11	SHOCK STRAP KITS (Not Shown) ²	S-14587-1	1	Use with S-20002 or S-1667 shock				
		S-14587-8	1	Use with S-21553 or S-20126 shock				
		S-14587-3	1	Use with S-2212 shock				
		S-14587-2	1	Use with S-2160 shock				
12	UPPER SHOCK CLEVIS	S-20113	2	U-6.5-024				
13	LOWER SHOCK CLEVIS (Not Shown)	S-2592	2	All models				
14	AIR SPRING SPACER ASSEMBLY (Not Shown)			Includes air spring plate and spacer assembly				
		C-21210-1	2	U-7.5-002				
		C-21210-3	2	U-9-002	U-9-029	U-12-001		
				U-12-006	U-12-008	U-12-517		
				UB12-001	UB12-006	UB12-027		
				UB12-028				
		C-21210-4	2	U-9-024	U-12-002	U-12-024		
				U-14-001	U-14-006	U-14-008		
				U-14-028	U-14-517	UB9-002		
				UB9-013	UB14-001	UB14-006		
				UB14-027	UB14-028			
C-21215-3	2	U-12-007	UB9-012	U-12-026				
C-21215-4	2	U-14-026	UB14-023					
C-21215-5	2	U-14-007						
A-22431	2	U-6.5-022						
15	UPPER SHOCK BRACKET	S-20023	2	U-6.5-030	U-6.5-031			
16	AIR SPRING PLATE	S-21209	2	U-6.5-001	U-6.5-002	U-6.5-008		
				U-6.5-011	U-6.5-020	U-6.5-023		
				U-6.5-024	U-6.5-027	U-6.5-030		
				U-6.5-031	U-6.5-517	U-7.5-001		
				U-7.5-005	U-7.5-008	U-7.5-017		
				U-7.5-027	U-7.5-517	U-9-001		
				U-9-006	U-9-008	U-9-010		
				U-9-022	U-9-027	U-9-028		
				U-9-517	UB6.5-001	UB6.5-002		
				UB6.5-517	UB6.5-522	UB7.5-001		
				UB7.5-005	UB7.5-522	UB9-001		
				UB9-010	UB9-522			
				B-21211	2	U-6.5-007	U-7.5-007	U-9-007
				C-11134	2	U-7.5-021	U-7.5-022	U-9-021
						U-9-023	U-9.2-026	U-15-022
						UB9-022	UB15-022	

² Shock strap kits include (2) shock straps and (4) nylon ties. (1) shock strap kit required per axle.

NOTE: Identification tag can be found on the front of the roadside frame bracket or the inside of the curbside beam.

HT250U UNDERSLUNG PARTS LIST



ITEM	DESCRIPTION	PART NO.	QTY. PER SUSP.	FITS MODELS HT250 ? or N-HT250 ?		
17	AIR SPRING	S-20124	2	All models except below		
		S-20127	2	U-9-006 U-9-028 U-9-029 U-12-006 U-14-006 U-14-028 UB12-006 UB12-028 UB14-006 UB14-028		
		S-20413	2	U-6.5-011 U-6.5-023		
		S-20414	2	U-9-010 UB9-010		
		S-20716	2	U-6.5-002 U-6.5-003 U-6.5-031		
		S-13122	2	U-9-020 U-9-021 U-9-023 U-9.2-026 U-15-022 UB9-022 UB15-022		
		S-14249	2	U-7.5-021 U-7.5-022		
		18	AIR SPRING MOUNTING KIT	S-20033/2	2	All models except below
				S-4903/2	2	U-9-020 U-9-021 U-9-023 U-15-022 UB9-022 UB15-022
				S-1981/2	2	U-7.5-021
19	UNIVERSAL HEIGHT CONTROL VALVE (Not Shown)			VS-227	1 ³	Fits all models. Includes height control valve, exhaust line and spacer bracket.
20	UNIVERSAL LINKAGE ASSEMBLY (Not Shown)	S-14187	1 ³	Includes linkage assembly and hardware		
21	AUTO DUMP VALVE (Not Shown)	VS-23460	1 ³	Includes dump valve and fittings		
22	PRESSURE PROTECTION VALVE (Not Shown)	VS-1128	1 ³	Includes valve only		

³ Quantities for air control components are per trailer.

NOTE: Identification tag can be found on the front of the roadside frame bracket or the inside of the curbside beam.

www.hendrickson-intl.com



Trailer Suspension Systems
250 Chrysler Drive, Unit #3
Brampton, ON Canada L6S 6B6
905.789.1030
Fax 905.789.1033

Trailer Suspension Systems 866.RIDEAIR (743.3247)
2070 Industrial Place SE 330.489.0045
Canton, OH 44707-2641 USA Fax 800.696.4416

Hendrickson Mexicana
Av. Industria Automotriz #200
Parque Industrial Sliva Aeropuerto
Apodaca, N.L., México C.P. 66600
+52 (81) 8288.1300
Fax +52 (81) 8288.1301