



# GROENEVELD AUTOMATIC GREASE SYSTEMS

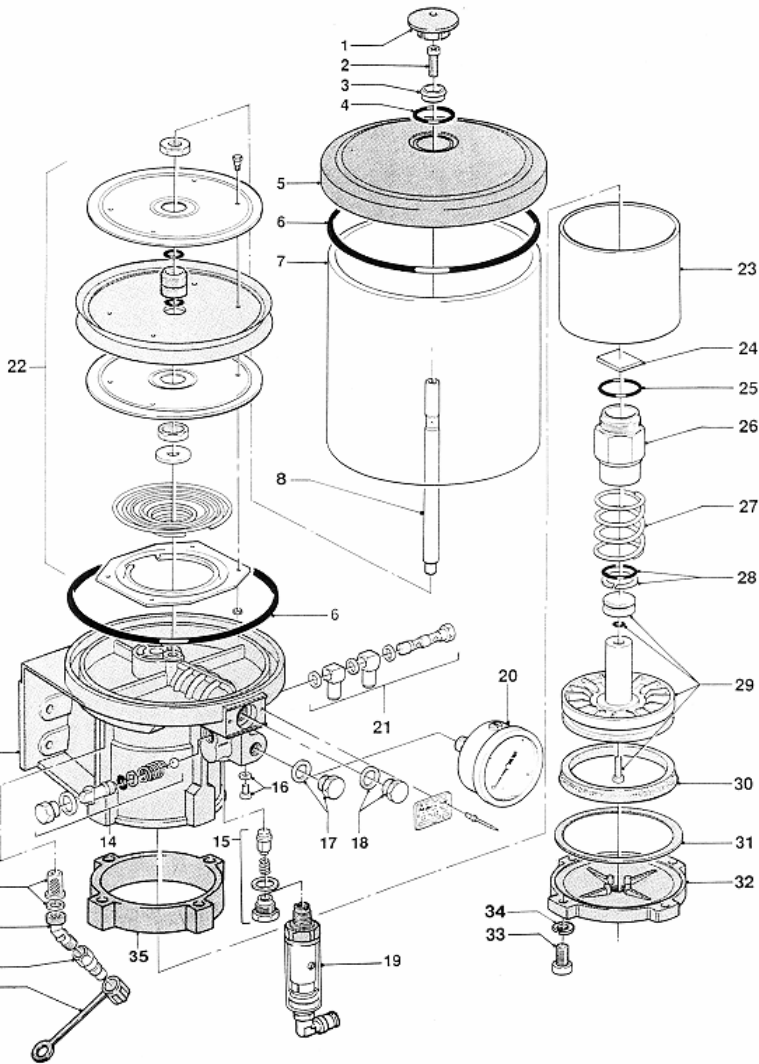
## EP-0 PNEUMATIC PARTS & ACCESSORIES BOOK

**Pumps, Fittings, Injectors, Timers, Lining,  
Brake Appliance Counter, Gauges etc.**

**Great Lakes Groeneveld,  
P.O. Box 463002, Mt. Clemens, MI 48046  
Shipping: 24411 North River Road, Mt. Clemens, MI 48042  
Phone: (586) 992-1741 Fax: (586) 207-5908  
info@greatlakesgroeneveld.com  
www.groeneveldusa.com**

h://Parts Booklets/ Parts Booklets USA//TWIN Parts Book USA.pdf

# PNEUMATIC PUMP

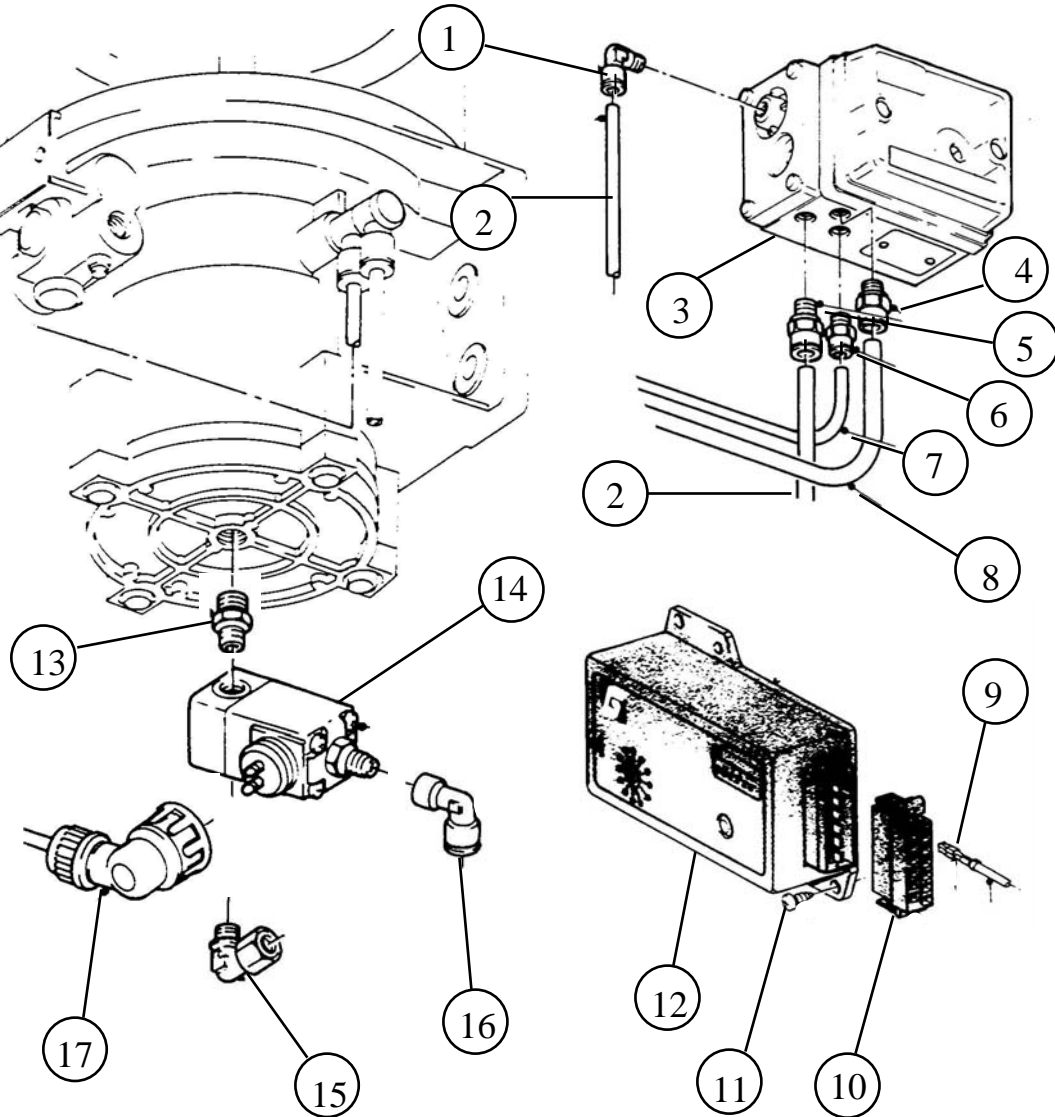


Description		Part Number					
		361.01	362.01	688.01	355.01	371.01	430.01
Delivery	cc/stroke	30	42	42	42	60	60
Grease pressure (8 bar air pres.)	bar	100	72	72	72	72	72
Maximum grease pressure	bar	100	100	100	100	100	100
Required air pressure	bar	4-8	5-11	5-11	5-11	5-11	5-11
Reservoir capacity	Liter	4	4	6	8	4	8
Follower plate inside		yes	yes	yes	no	yes	no
Weight – empty	kg	5.4	5.4	5.5	5.2	6.1	5.9

Item	Part no.	Description	Item	Part no.	Description
1	376.01	Cap, center	21	197.01	Banjo coupling (complete)
2	396.01	Socket head cap screw M8x20	22	405.01	Follower plate (complete 4L)
3	397.01	Bushing spacer		694.01	Follower plate (complete 6 & 8L)
4	377.01	O-ring	23	406.01	Cylinder liner (30cc/42cc)
5	375.01	Cover (pump with follower plate)		697.01	Cylinder liner (60cc)
6	306.01	'O' ring	24	307.01	Check valve
7	373.01	Reservoir (4L)	25	325.01	'O' ring
	692.01	Reservoir (6L)	26	358.01	Grease cylinder (42cc)
	350.01	Reservoir (8L)		324.01	Grease cylinder (30cc)
8	399.01	Guide rod (4L)		205.22	Grease cylinder (60cc)
	693.01	Guide rod (6L)	27	357.01	Spring (42cc)
	415.01	Guide rod (8L)		322.01	Spring (30cc)
9	345.01	Pump housing		487.01	Spring (60cc)
10	340.01	Grease filter set	28	359.01	'O' ring w/retaining ring 42/60cc
11	339.01	Coupling, 45° 3/8" – 1/4"		323.01	'O' ring w/retaining ring (30cc)
12	020.01	Quick connector	29	374.01	Piston (30cc) complete
13	035.01	Dust cap		407.01	Piston (42cc) complete
14	349.01	Return valve (complete)		975.01	Piston (60cc) complete
15	348.01	Check valve (complete)	30	409.01	Piston seal
16	401.01	Socket head cap screw	31	410.01	Gasket
	402.01	Sealing washer	32	411.01	Pump housing cover
17	329.01	Plug 1/4 BSP	33	310.01	Socket head cap screw 30/42cc
	318.01	Sealing washer		488.01	Socket head cap screw 60cc
18	403.01	Plug (grease channel)	34	309.01	Spring washer
	404.01	Sealing washer	35	225.22	Pump housing extension 60cc
19	264.01	Grease pressure indicator	No #	909.01	Low level switch 4kg
20	169.01	Pressure gauge (0-150 bar) 1/4 BSP		841.01	Low level switch 6kg

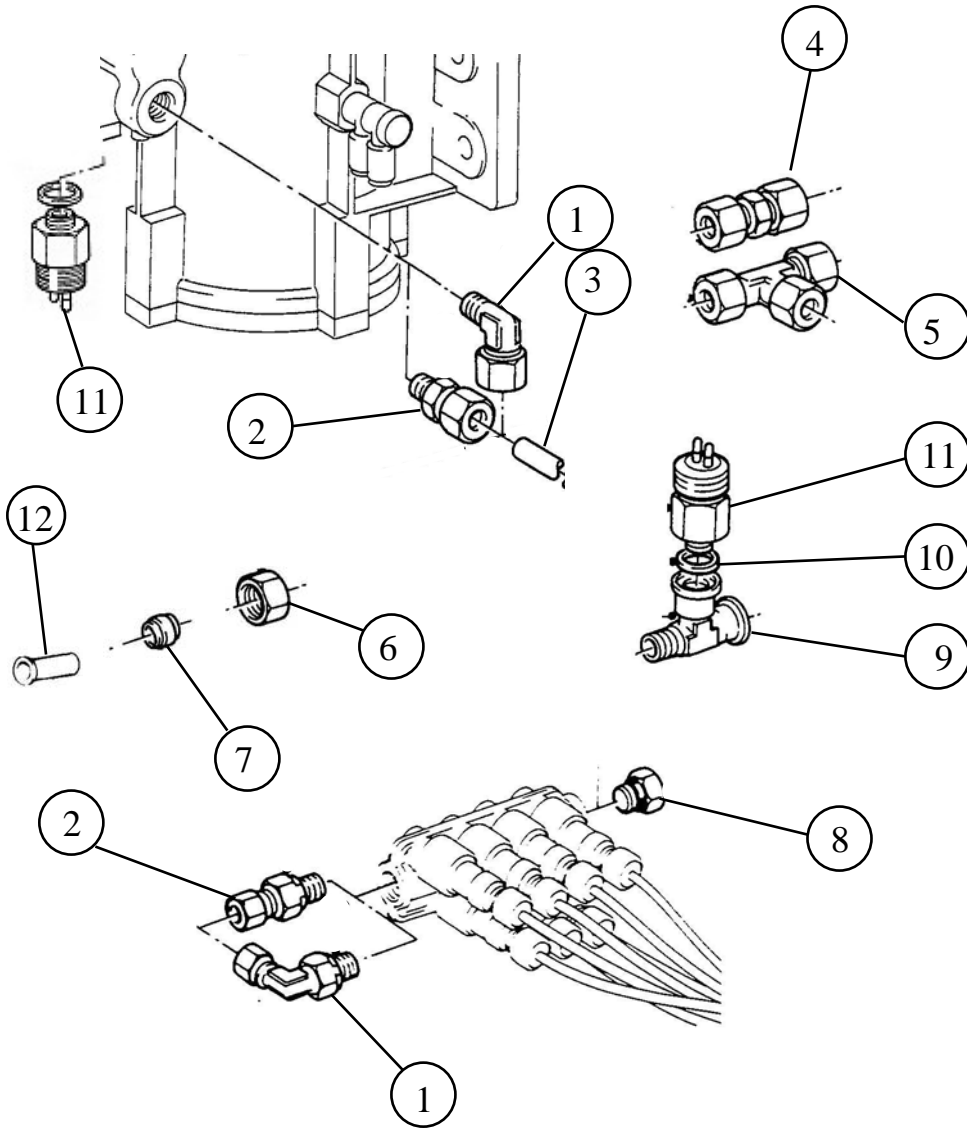
# CONTROL COMPONENTS



Item	Part #	Description
1	F190354	90° con 3/8 Airtubing x 1/8 male
2	F190366	3/8 Airtubing Red or Green
3	074.01	Brake Appliance Counter BAC
4	114.01	Straight con. 5/16 tube x 1/8 male
5	F117189	Straight con 3/8 Airtubing x 1/8 male
6	194.01	Straight con. 6mm x 1/8 male push-in
7	193.01	Tubing 6 mm
8	026.01	Tubing Mainline 5/16
9	078.01	Electrical connector for timer
10	077.01	12 Pole timer connector
11	F191153	Taping screw 1/2"
12	099.01	Timer 12V, 1/2 hr – 5 hr
13	128.01	Straight con. 1/8 male x 1/4 male
14	184.08	Solenoid 12V
15	113.01	90° con. 5/16 tube x 1/8 male
16	191.01	90° con. 1/8 fem x 6mm push-in
17	190.08	Connector M22, 2 pole
	029.08	2 core wire (red & brown)
	141.08	Terminal, female
	690.01	Wire harness complete for pressure switch/solenoid combination

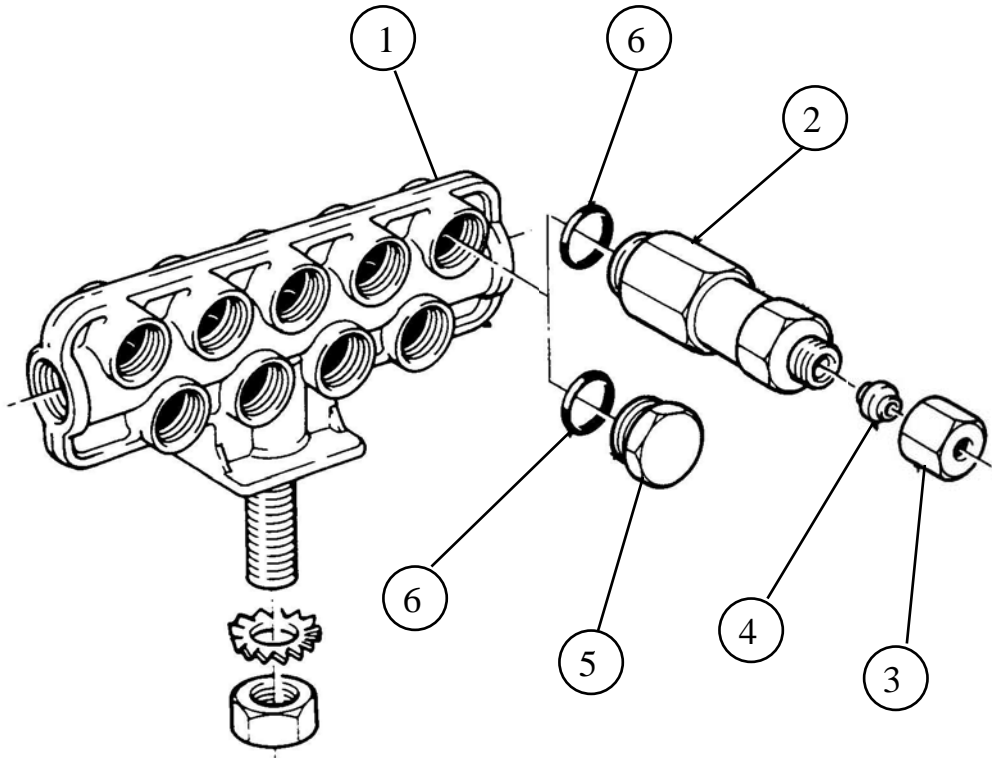
Feb 2, 2005

# MAINLINE COMPONENTS



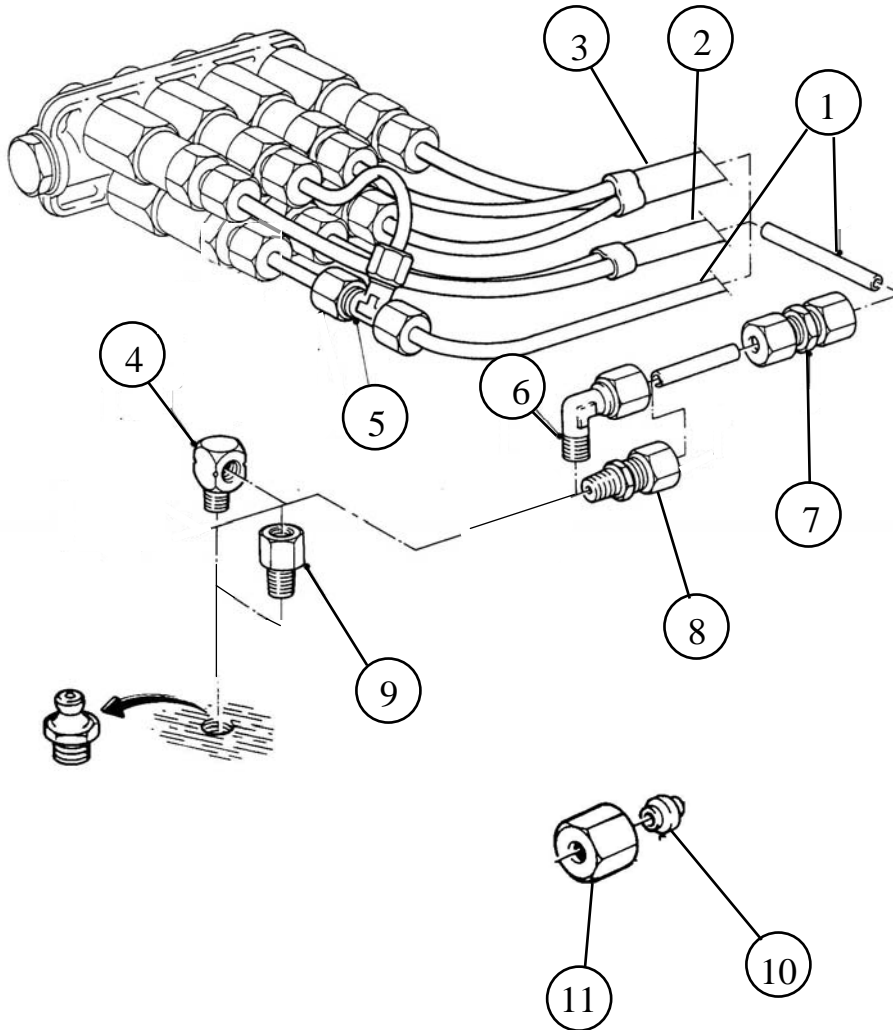
Item	Part #	Description
1	438.01	90° con. 5/16 tube x ¼ male
2	439.01	Straight con. 5/16 tube x ¼ male
3	026.01	Mainline tubing 5/16
4	115.01	Coupling con. 5/16 tube
5	118.01	Tee: 5/16 tubing
6	161.01	Nut 5/16
7	119.01	Olive 5/16
8	442.01	Plug ¼ male
9	441.01	Tee: ¼ male x ¼ fem run x ¼ male T
10	125.01	O-ring Copper
11	225.01	Pressure switch 40 bar (in tee)
	685.01	Pressure switch 40 bar (in pump)
12	109.01	Insert for 5/16" Mainline

# MANIFOLDS AND INJECTORS



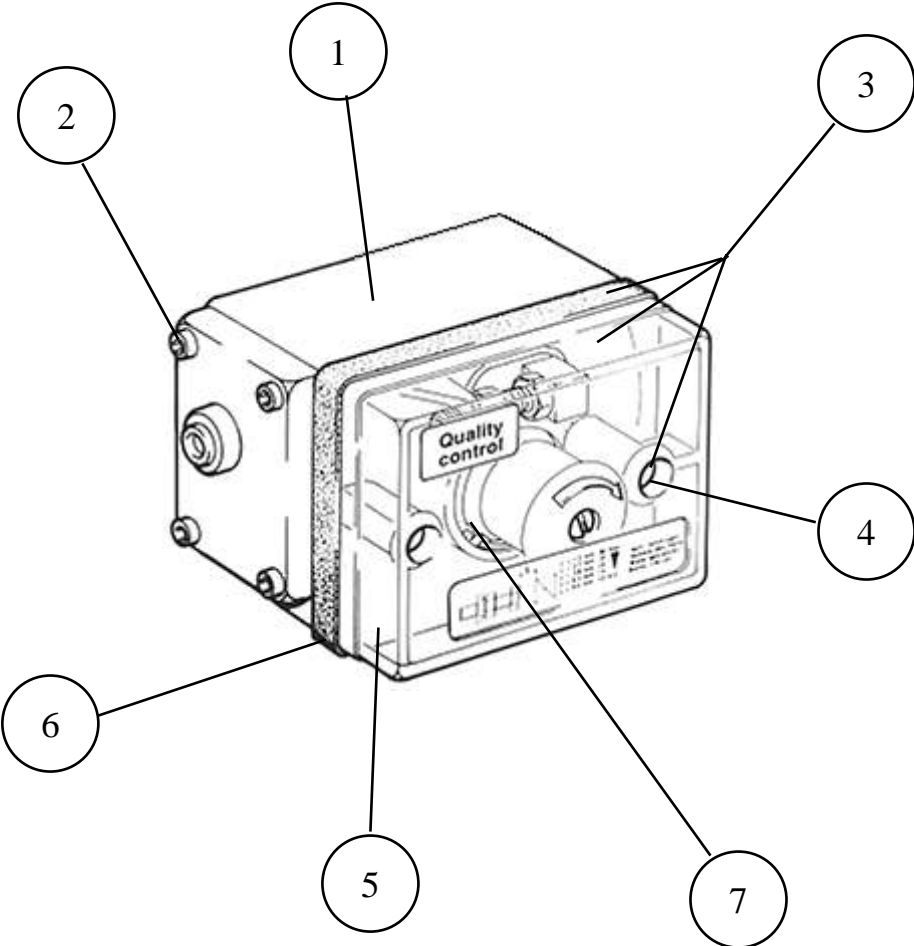
Item	Part #	Description
1	068.01	Block Transport 4 Port
	069.01	Block Transport 7 Port
	071.01	Block Transport 9 Port
	072.01	Block Transport 12 Port
	770.01	Block Transport 14 Port
2	030.01	Injector # 0
	010.01	Injector # 1
	011.01	Injector # 2
	012.01	Injector # 3
	013.01	Injector # 4
	015.01	Injector # 6
	017.01	Injector # 8
	124.02	Injector # 9
3	107.01	Nut 3/16
4	108.01	Olive 3/16
5	009.01	Injector Plug
6	124.01	Injector Washer

# SECONDARY LINING COMPONENTS



Item	Part #	Description
1	022.01	Secondary grease tubing 3/16" - Single
2	023.01	Secondary grease tubing 3/16" - Double
3	024.01	Secondary grease tubing 3/16" - Triple
4	021.01	90° coupling 1/8 fem x 1/4-28 male
	085.01	90° coupling 1/8 fem x 1/4-28 male Long
	150.01	90° coupling 1/8 fem x 1/8 male
	213.01	90° coupling 6mm male x 8mm fem
5	141.01	Tee: 3/16" tubing
6	102.01	90° con. 3/16 tube x 1/8 male
7	106.01	Coupling con. 3/16 tube
8	104.01	Straight con. 3/16 tube x 1/8 male
	219.01	Straight con. 3/16 tube x 8 mm male
	657.01	Straight con. 3/16 tube x 6 mm male
9	F190320	Straight adapter 1/8 fem x 1/8 male
	152.01	Straight adapter 1/8 fem x 1/4-28 male
10	108.01	Olive 3/16
11	107.01	Nut 3/16

# BRAKE APPLIANCE COUNTER



Item	Part #	Description
1	074.01	Brake Appliance Counter
2	SB-M4x16SS	Socket head cap screw – M4 x 16mm Stainless
3	456.01	Kit – gasket, mounting screws & cover w/spring
4	SB-M5x25SS	Socket head cap screw – M5 x 25mm Stainless
5	073.01	Cover with spring
6	075.01	Gasket (for cover)
7	254.563	Retaining ring (ratchet)
8	018.11	Seal/repair kit BAC (less piston kit)
9	116.11	Piston kit BAC

